



stellar dust

loomma



inspiration



STELLAR DUST

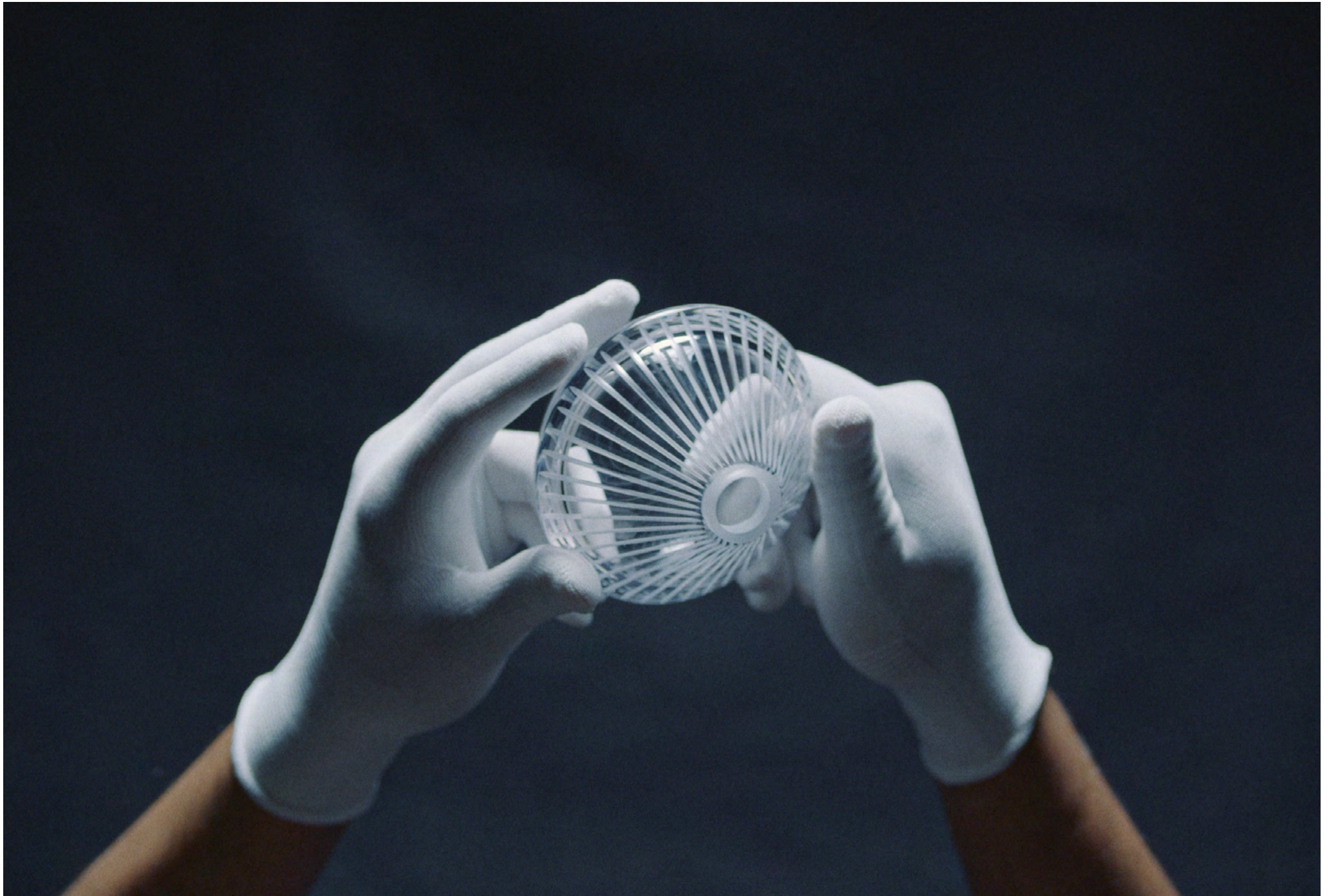
Cosmic tapestry carrying light through space

The Stellar Dust lighting is composed of countless speckles that seem to float through space. This collection was originally designed for J&T bank in Prague by CMC architects, and designers Václav Mlynář and Jakub Pollág. Its success resulted in this design being adopted for regular production, as an addition to the BOMMA Constellations. Both optical illusions and the remarkable effects of these crystal components perfectly juxtapose modern interiors. The neutral clear color and universal round shape add to its versatility.

Design by CMC Architects, Václav Mlynář and Jakub Pollág

production







projects

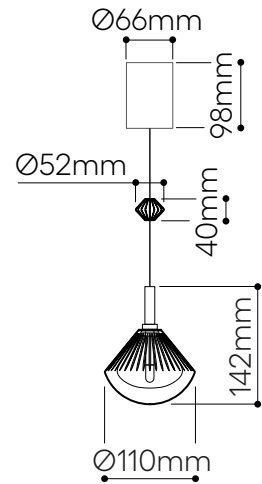
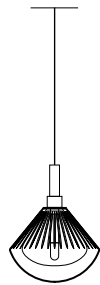
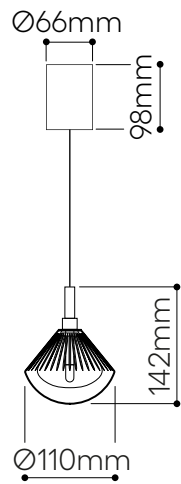


BOMMA catalogue, 2024, Interior by Studio Salaris

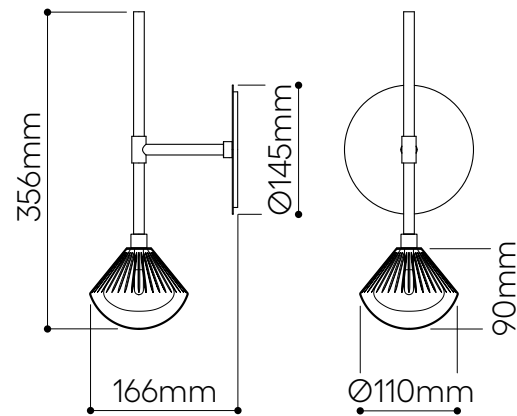


J&T Bank, Czechia, Installation of 727 pcs of Stellar Dust and 2476 crystal beads

options



clear
brushed gold or anthracite



clear
brushed gold

pendant & wall

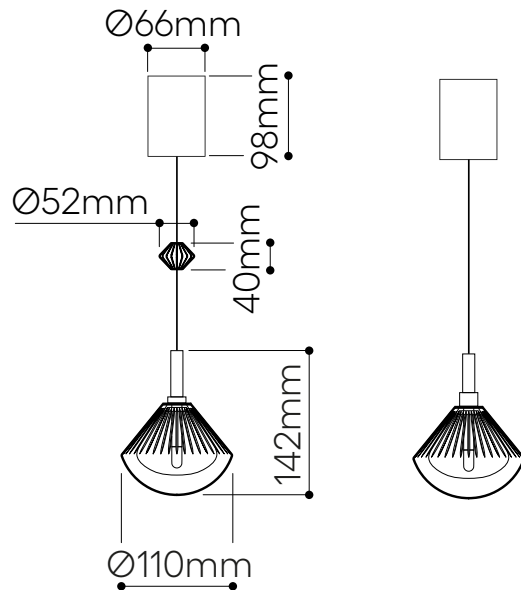
technical informations

STELLAR DUST pendant

Design by
CMC Architects, Václav Mlynář
and Jakub Pollág

Handmade glass attributes

All Bomma products are hand-made from mouth-blown lead-free crystal. Therefore any small bubbles, non-melts and irregularities in the glass are both proof and a characteristic feature of this traditional craft



LIGHTING DESCRIPTION

Size	dia 110 mm, H 142 mm dia 4,3 inch, H 5,6 inch
Crystal bead size	52 x 40 mm / 2,05 x 1,57 inch
Cable	transparent 2,5 m / 98,4 inch max n. of crystal beads per cable - 15 pcs
Weight	+ - 0,6 kg / 1,3 lbs
Glass	clear lead-free crystal
Mounting	brushed gold (brushed brass) anthracite (brass and galvanized black nickel)
Protection	IP 20
Nominal voltage	220-240V / A.C. 50 hz (EU) 110-120 V / A.C. 60 Hz (USA)
Class	III. EU / II. USA

LIGHT SOURCE

Type	G4, 1,2W LED, 100 lm
Base	G4 (EU) / G4 (USA)
Voltage	12V, AC
Temperature	2700 K
Color index	RA 90+
Dimming	EU/Other versions - dimmable in constellations, non dimmable as a single pendant. UL/The Americas - dimmable in constellations and as a single pendant.

TRANSFORMER

Primary	100-240V, 50/60 Hz, 0,04A
Secondary	DC 700mA (0,5V-4V) 1x3W

PACKAGING

Material	Cardboard
Size	230 x 220 x 220 mm 9 x 8,6 x 8,6 inch

Origin: traditionally produced in the Czech Republic
Intellectual property license holder: Bomma Czech Republic (EU)
Represented by BMRC group s.r.o.

CERTIFICATES



bomma

BMRC Group s.r.o.
Pod Dráhou 1638/7
Prague 7, 170 00,
Czech Republic

info@bomma.cz

step beyond